



# 3/4"x3" Square Plate Washer

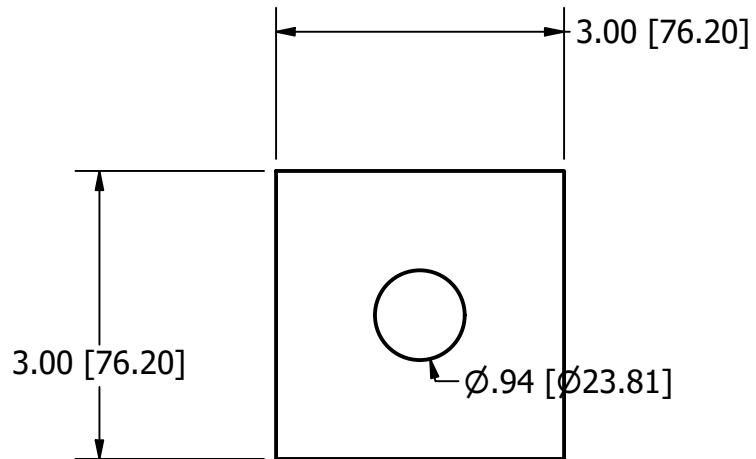
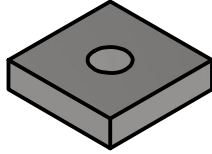
6483315

Units Inch[mm]

Scale 1/4

Drawn Shannon Kimes

Date 4/25/2026



| Material                     | Packaging |                 |                | Notes                                 |
|------------------------------|-----------|-----------------|----------------|---------------------------------------|
| Base Material: Steel, Carbon |           | Weight lbs[kgs] | Units          | 1. Weights approximation/theoretical. |
| Finish: Plain/None           | Piece     | 1.91[0.87]      | 1 Piece        |                                       |
| Coating: Oiled               | Bag       | 50[22.7]        | 26 pcs         |                                       |
|                              | Pallet    | 2500[1134]      | 50 Bags        |                                       |
|                              | Ton[MT]   | 2,000[1,000]    | 1046[1150] pcs |                                       |
|                              |           |                 |                |                                       |