



1-1/4"x18" Single End Stud

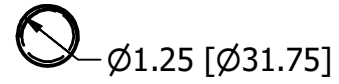
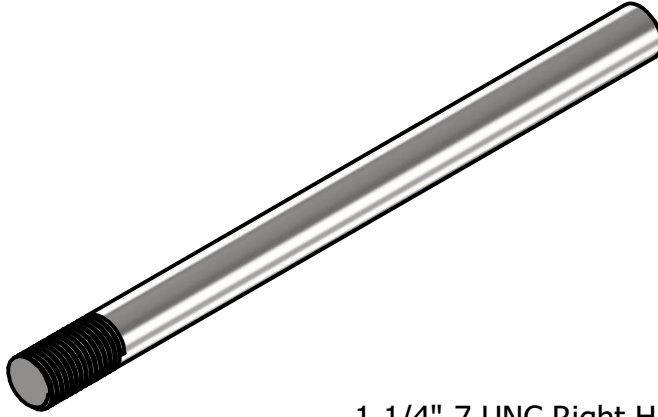
6312018

Units Inch[mm]

Scale 1/4

Drawn Shannon Kimes

Date 3/21/2026



1-1/4"-7 UNC Right Hand 2A

2.06 [52.38]

18.00 [457.20]

Material		Packaging		Notes
Base Material: Steel, Carbon		Weight lbs[kgs]	Units	1. Weights approximation/theoretical.
Finish: Plain/None	Piece	6.26[2.84]	1 Piece	
Coating: Oiled	Bag	50[23]	8 pcs	
	Pallet	2500[1134]	50 Bags	
	Ton[MT]	2,000[1,000]	320[352] pcs	