



1-1/4"x24" Single End Stud

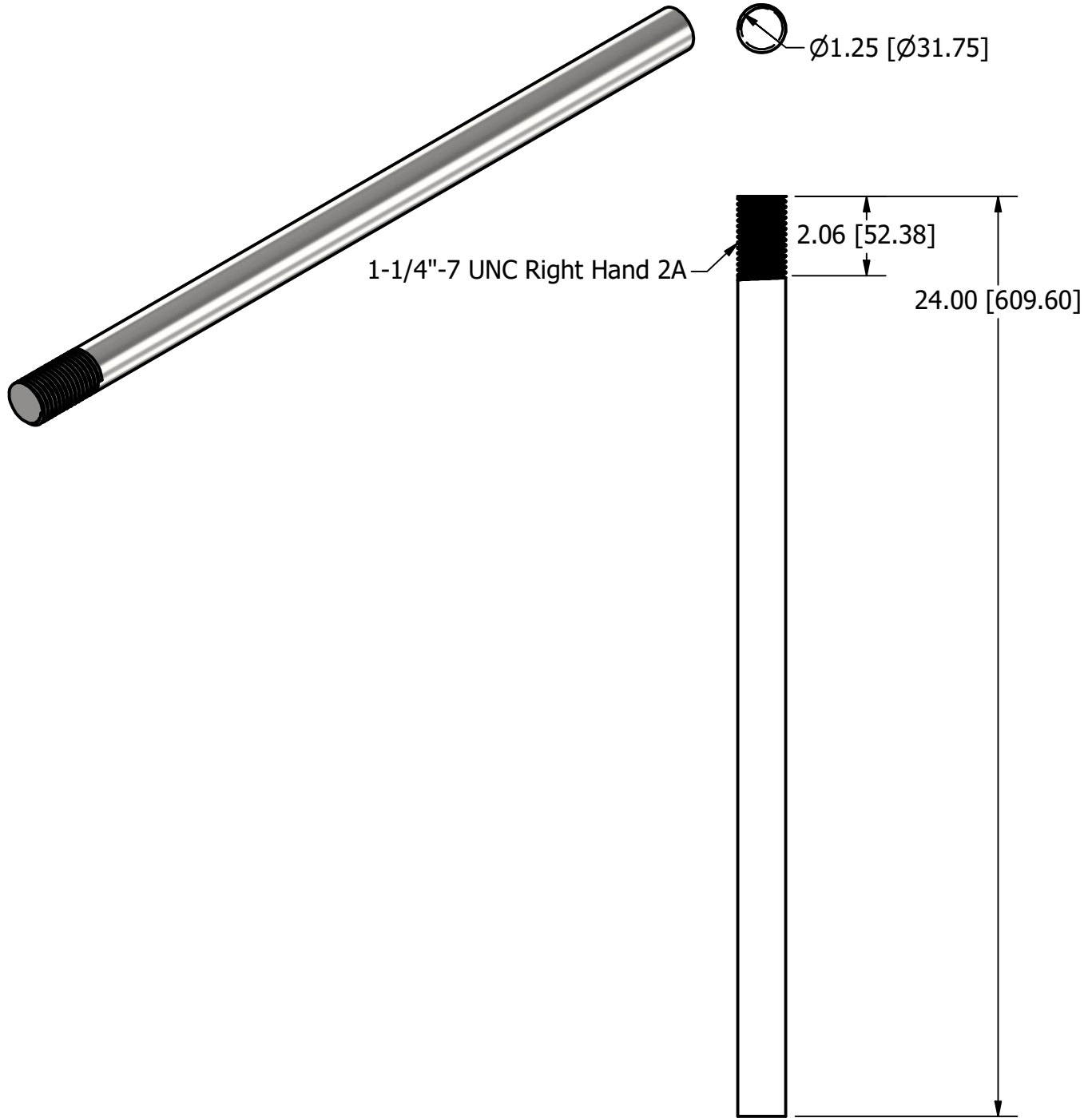
6312024

Units Inch[mm]

Scale 1/4

Drawn Shannon Kimes

Date 3/21/2026



Material

Packaging

Notes

Base Material: Steel, Carbon		Weight lbs[kgs]	Units	1. Weights approximation/theoretical.
Finish: Plain/None	Piece	8.34[3.78]	1 Piece	
Coating: Oiled	Bag	50[23]	6 pcs	
	Pallet	2500[1134]	50 Bags	
	Ton[MT]	2,000[1,000]	240[264] pcs	