



1-1/8"x18" Single End Stud

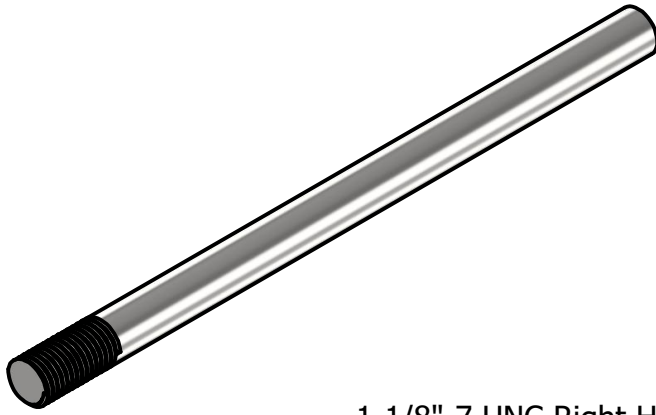
6311818

Units Inch[mm]

Scale 1/4

Drawn Shannon Kimes

Date 3/21/2026

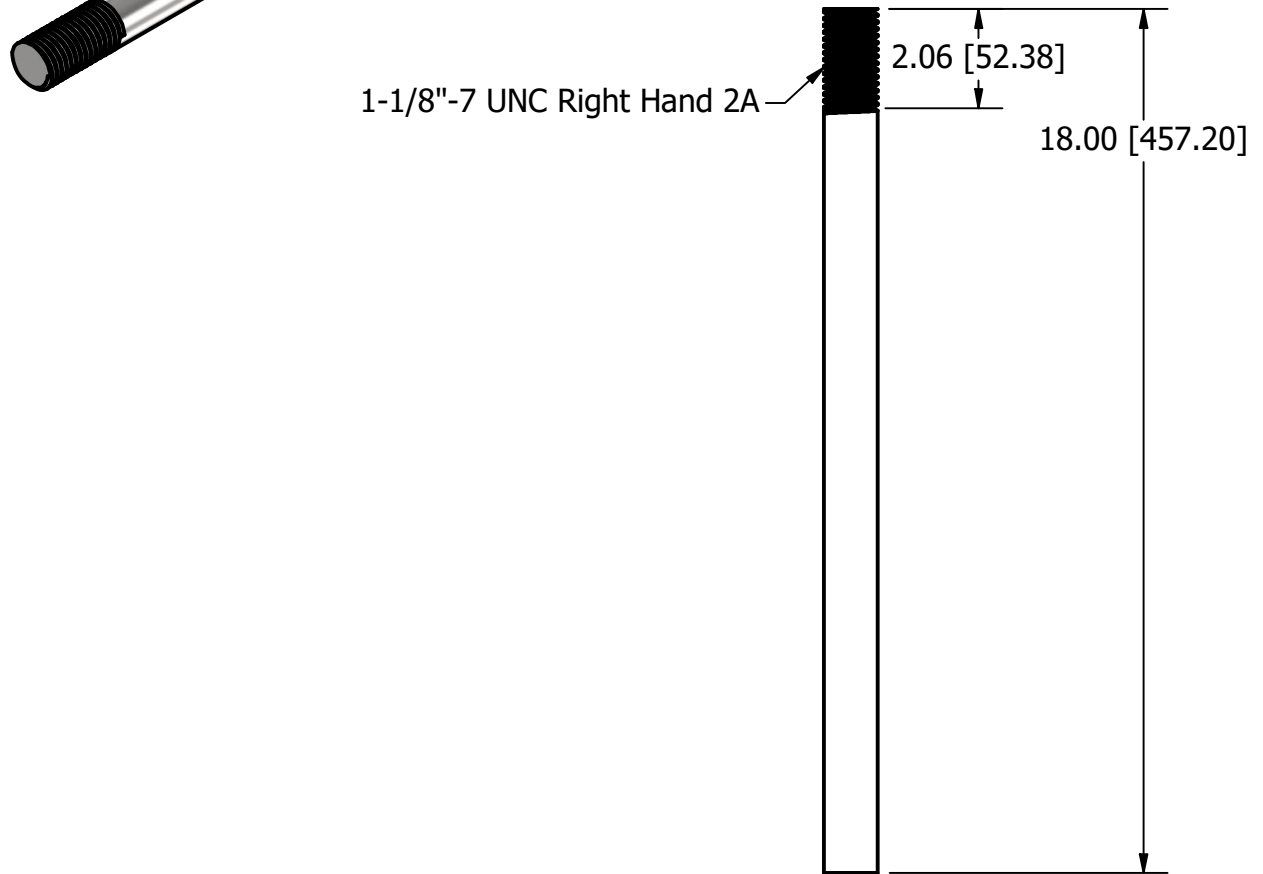


$\varnothing 1.13$ [$\varnothing 28.58$]

1-1/8"-7 UNC Right Hand 2A

2.06 [52.38]

18.00 [457.20]



Material

Packaging

Notes

Base Material: Steel, Carbon

Weight lbs[kgs]

Units

1. Weights approximation/theoretical.

Finish: Plain/None

Piece

5.07[2.3]

1 Piece

Coating: Oiled

Bag

50[23]

10 pcs

Pallet

2500[1134]

50 Bags

Ton[MT]

2,000[1,000]

395[434] pcs