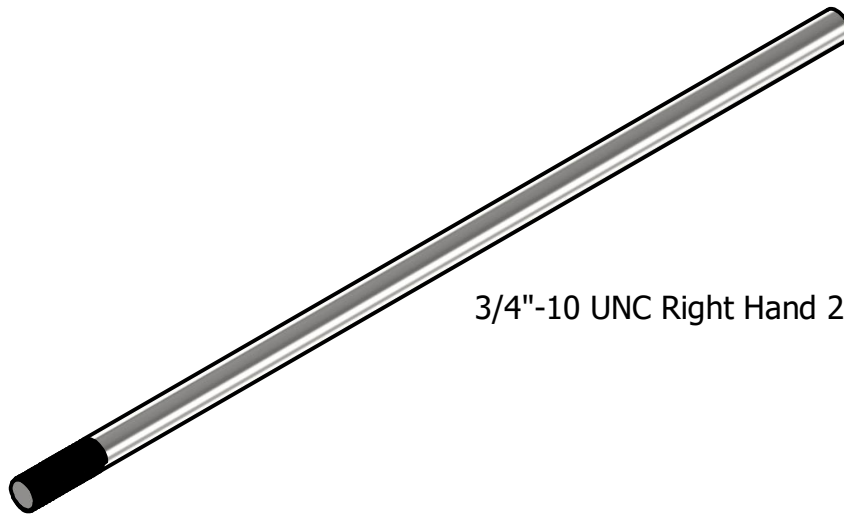


Units Inch[mm]

Scale 1/4

Drawn Shannon Kimes

Date 3/21/2026



$\varnothing .75$ [$\varnothing 19.05$]

3/4"-10 UNC Right Hand 2A

2.06 [52.20]

24.00 [609.60]

Material

Packaging

Notes

Base Material: Steel, Carbon

Weight lbs[kgs]

Units

1. Weights approximation/theoretical.

Finish: Plain/None

Piece

3[1.36]

1 Piece

Coating: Oiled

Bag

50[23]

17 pcs

Pallet

2500[1134]

50 Bags

Ton[MT]

2,000[1,000]

666[732] pcs