



5/8"x20" Single End Stud

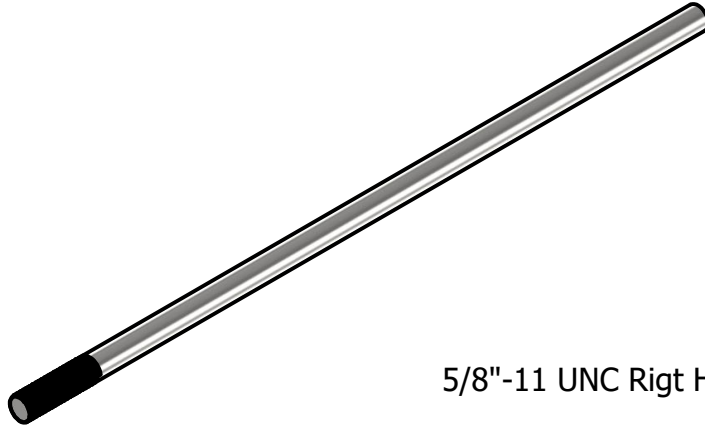
6311020

Units Inch[mm]

Scale 1/4

Drawn Shannon Kimes

Date 3/21/2026



$\varnothing .63$ [$\varnothing 15.88$]

5/8"-11 UNC Right Hand 2A

2.04 [51.89]

20.00 [508.00]

Material

Packaging

Notes

Base Material: Steel, Carbon

Weight lbs[kgs]

Units

1. Weights approximation/theoretical.

Finish: Plain/None

Piece

1.74[0.79]

1 Piece

Coating: Oiled

Bag

50[23]

29 pcs

Pallet

2500[1134]

50 Bags

Ton[MT]

2,000[1,000]

1151[1266] pcs