



# 5/8"x24" Single End Stud

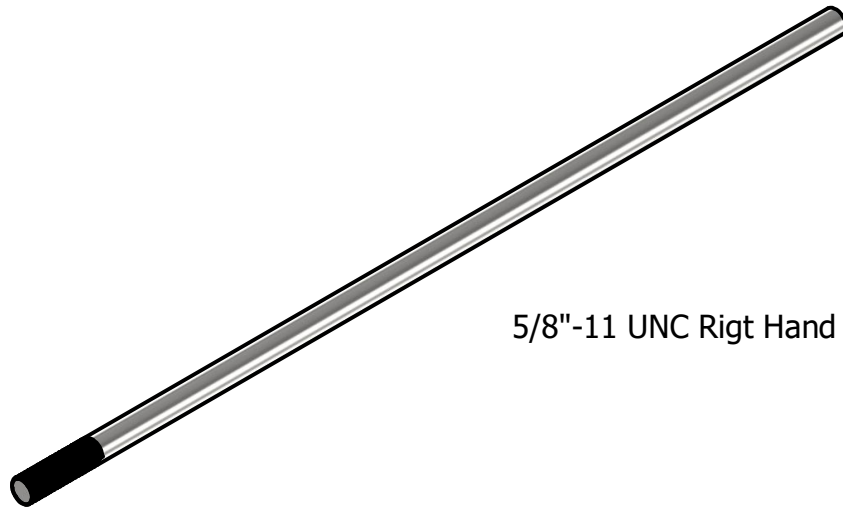
6311024

Units Inch[mm]

Scale 1/4

Drawn Shannon Kimes

Date 3/21/2026



$\varnothing .63$  [ $\varnothing 15.88$ ]

5/8"-11 UNC Right Hand 2A

2.05 [51.95]

24.00 [609.60]

## Material

## Packaging

## Notes

Base Material: Steel, Carbon

Weight lbs[kgs]

Units

1. Weights approximation/theoretical.

Finish: Plain/None

Piece

2.09[0.95]

1 Piece

Coating: Oiled

Bag

50[23]

24 pcs

Pallet

2500[1134]

50 Bags

Ton[MT]

2,000[1,000]

959[1055] pcs