



7/8"x22" Single End Stud

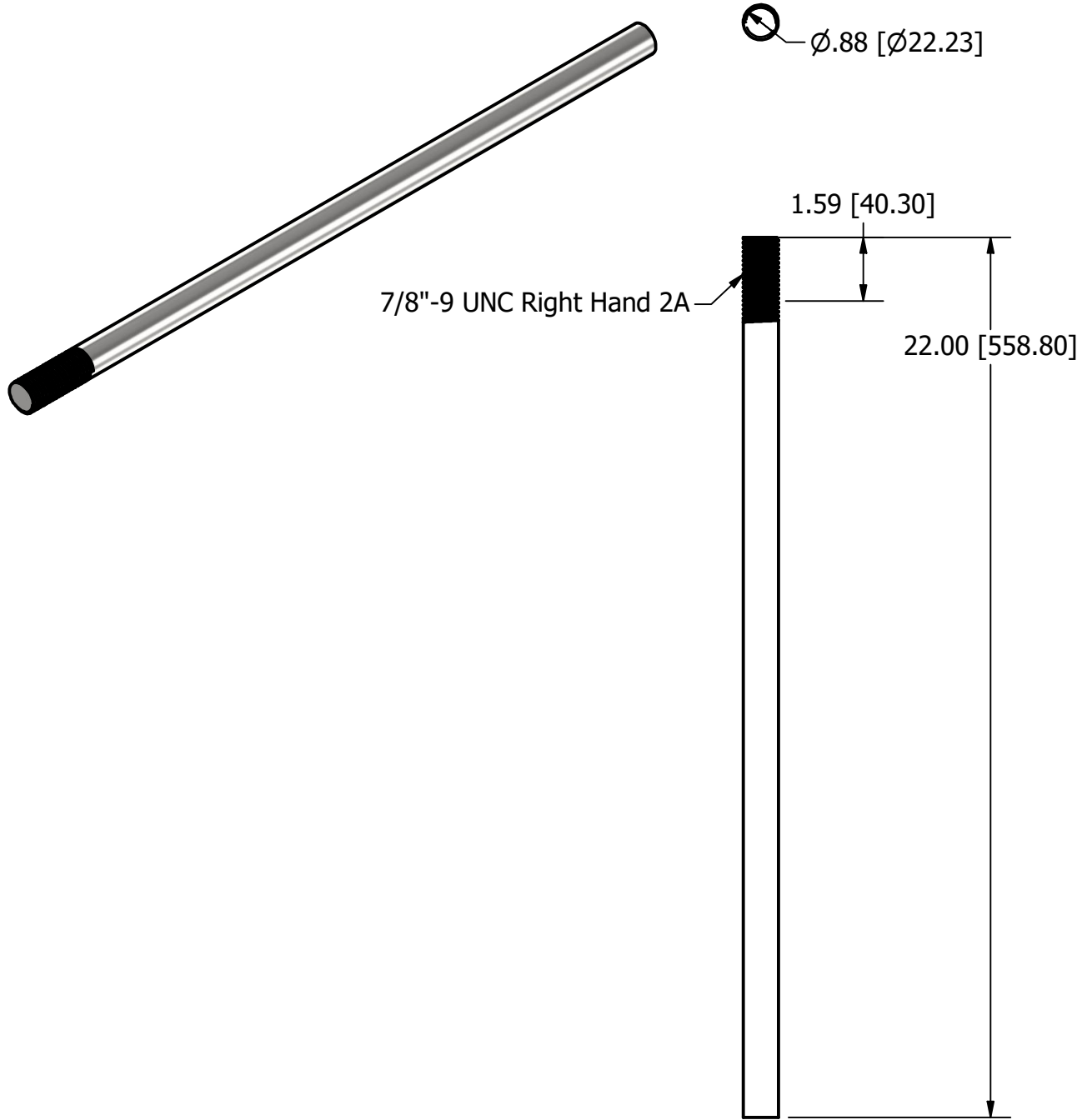
6311422

Units Inch[mm]

Scale 1/4

Drawn Shannon Kimes

Date 3/21/2026



Material

Packaging

Notes

| | | | | |
|------------------------------|---------|-----------------|--------------|---------------------------------------|
| Base Material: Steel, Carbon | | Weight lbs[kgs] | Units | 1. Weights approximation/theoretical. |
| Finish: Plain/None | Piece | 3.75[1.7] | 1 Piece | |
| Coating: Oiled | Bag | 50[23] | 13 pcs | |
| | Pallet | 2500[1134] | 50 Bags | |
| | Ton[MT] | 2,000[1,000] | 534[587] pcs | |
| | | | | |